

# Modar® PULL OUT PANTRY

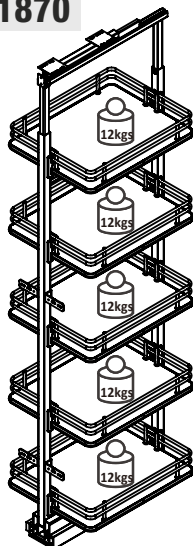
## INSTALLATION MANUAL

7116835 7116836  
7116837 7116838

Model 300/450

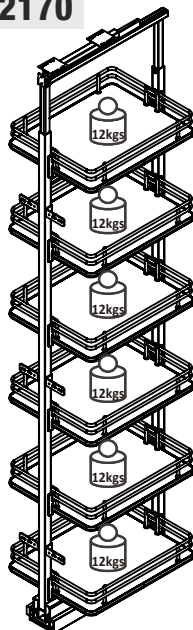
### 1 CABINET SIZE

HEIGHTS  
**1550-1870**



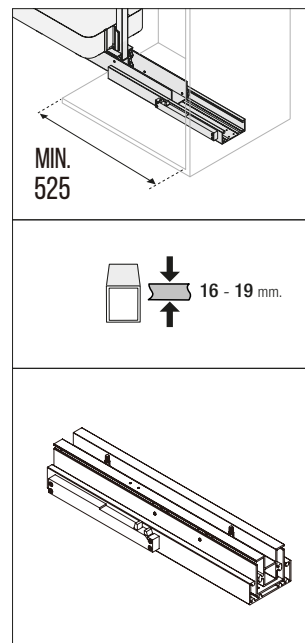
MAX 67.5KGS

HEIGHTS  
**1850-2170**

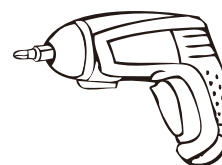
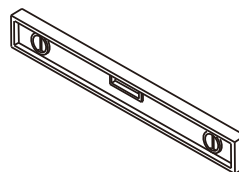
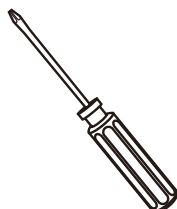
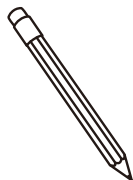
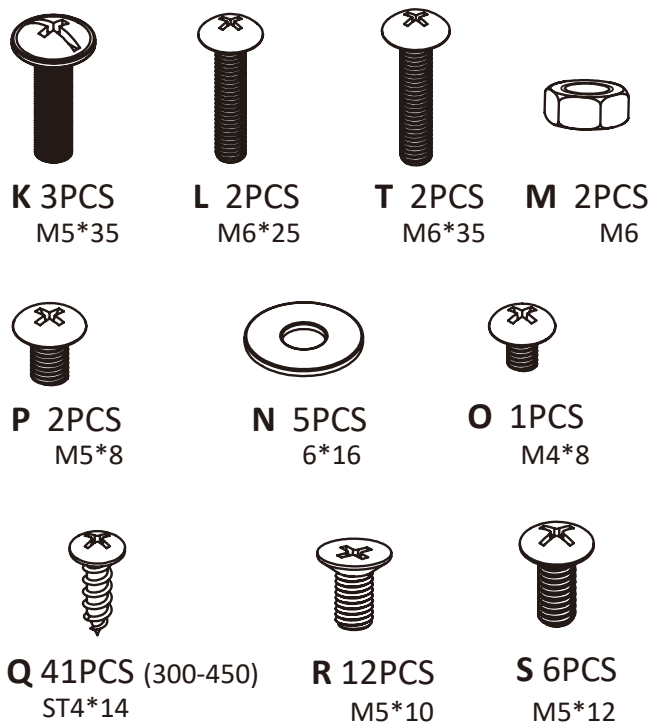
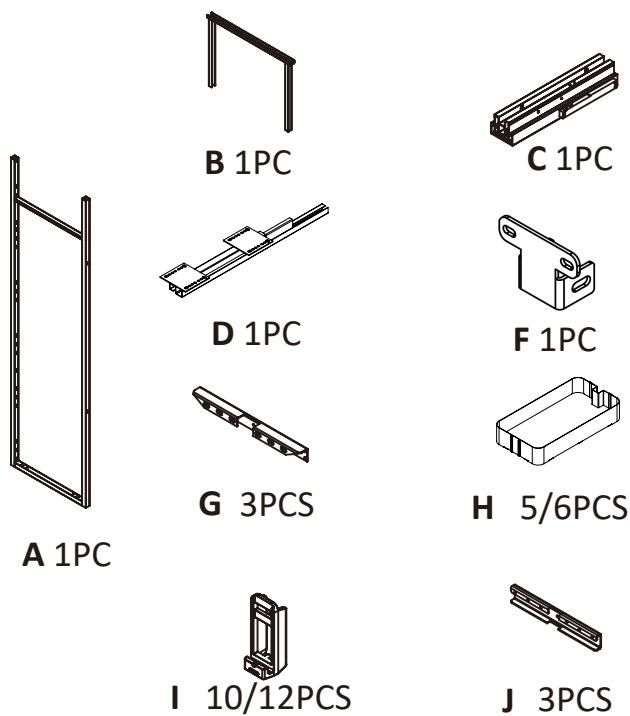


MAX 80KGS

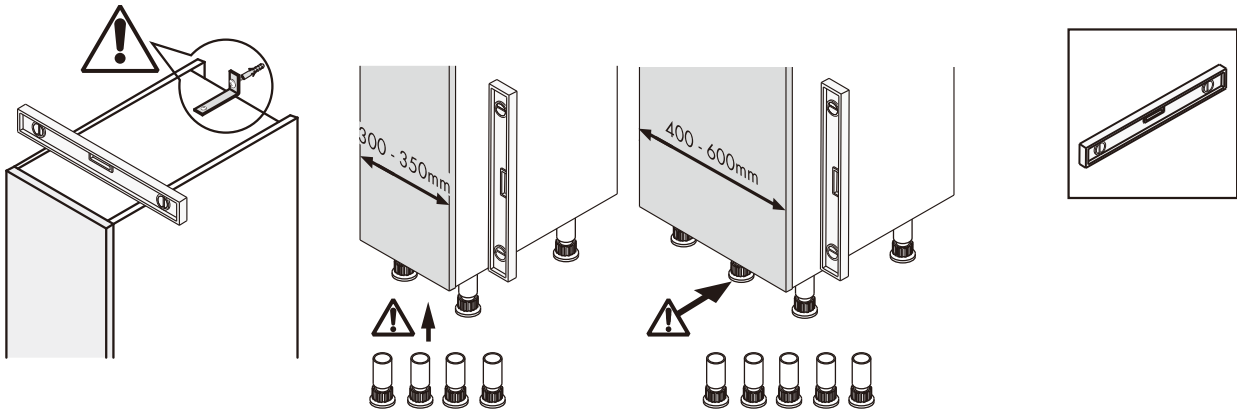
(MM)



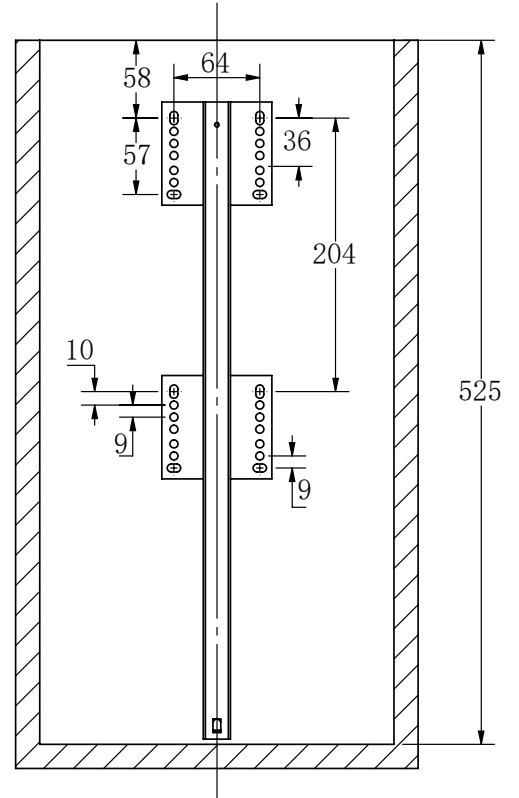
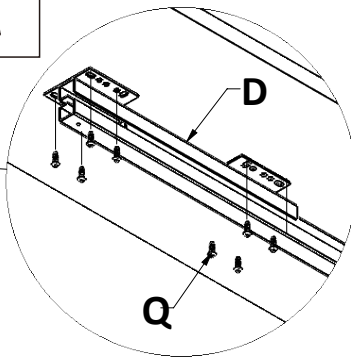
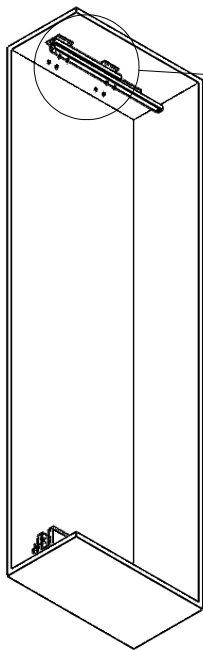
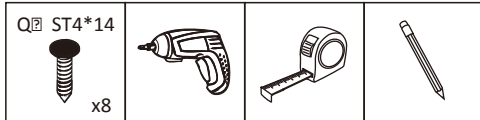
### 2 INSTALLATION



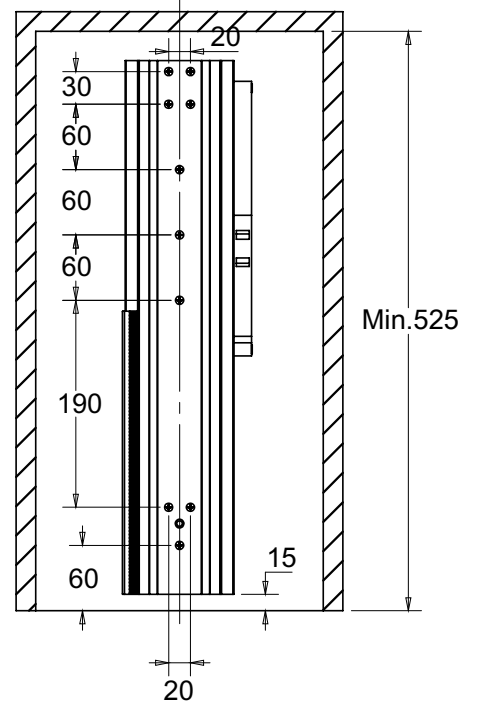
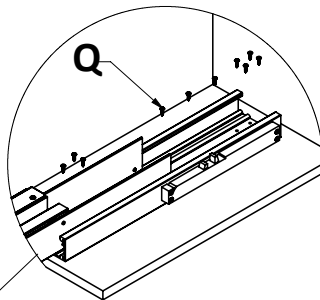
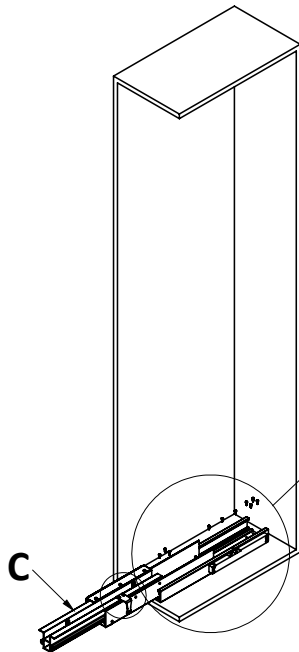
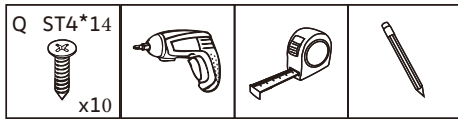
### 3 INSTALLATION










1

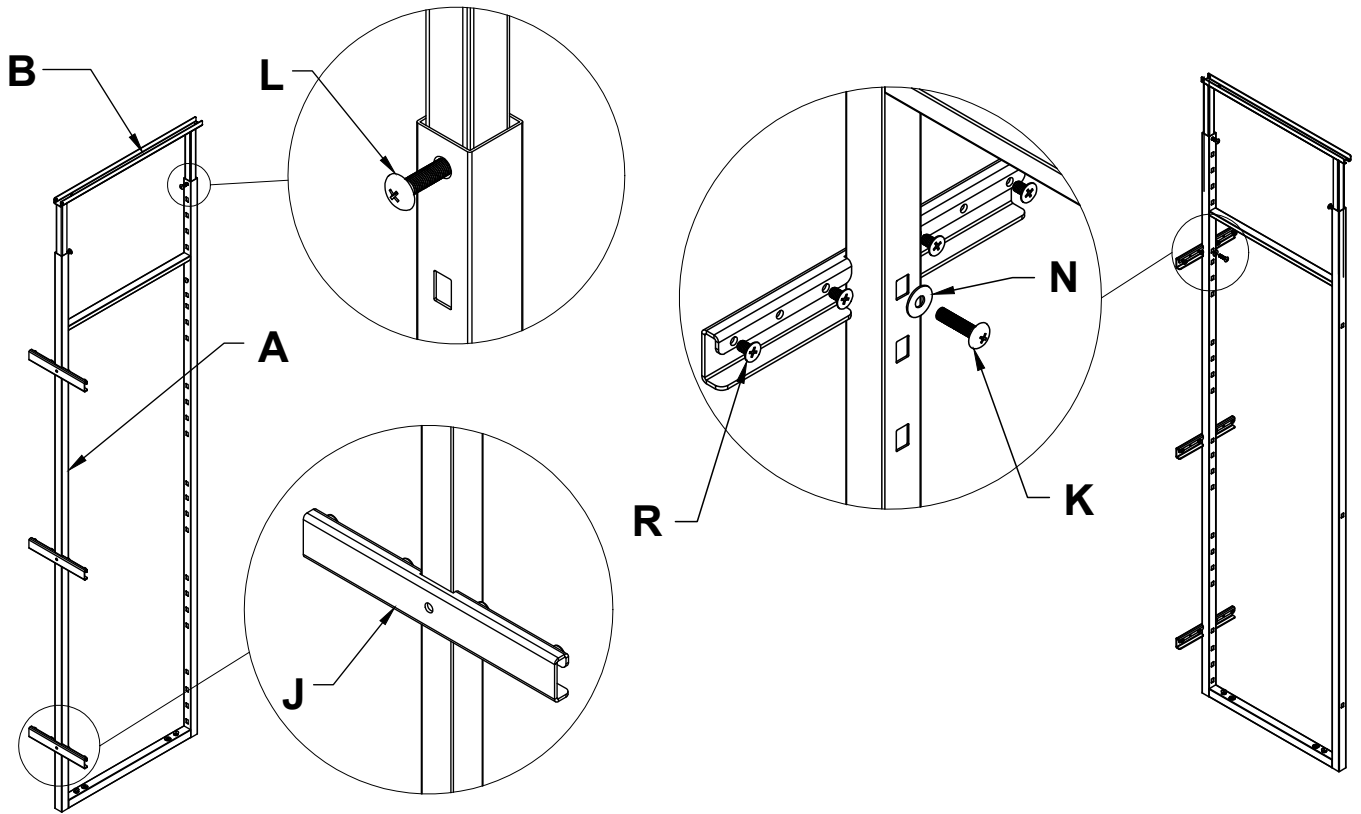


2










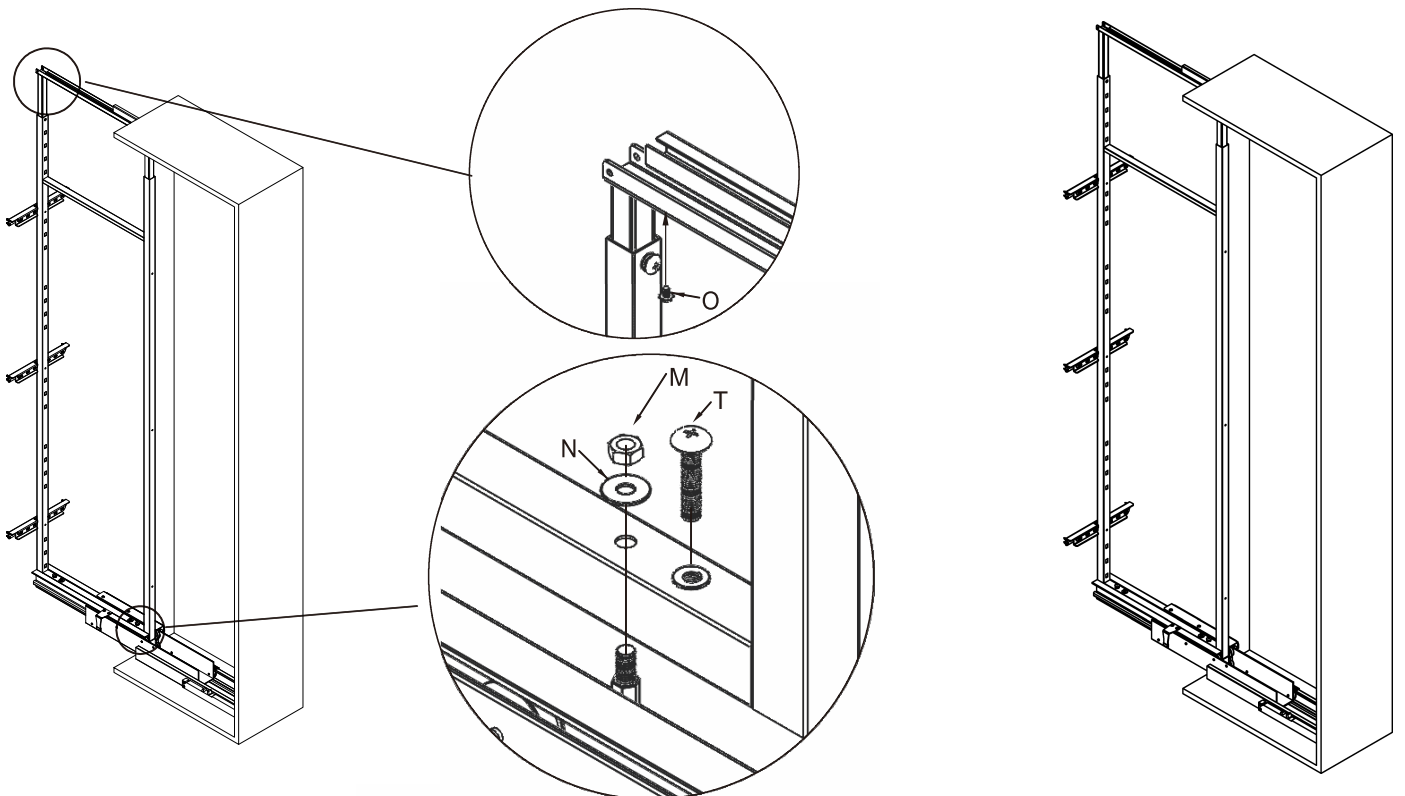
3

R M5*10  x12	N 6*16  x3	K M5*35  x3	L M6*25  x2			
---	---	--	--	--	--	--

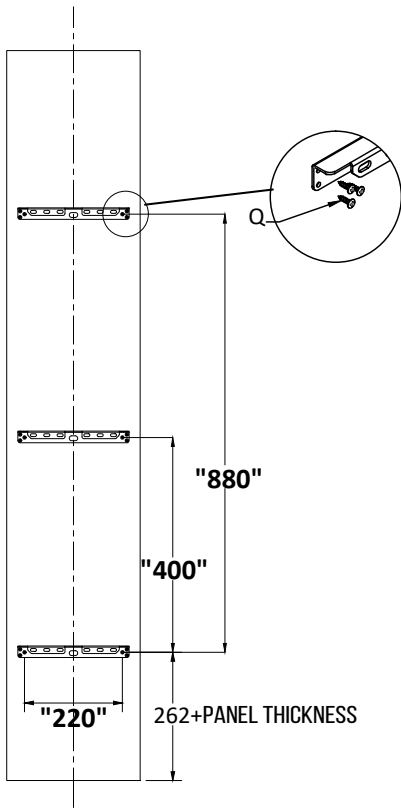
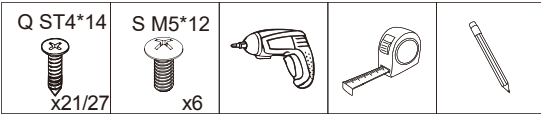


4

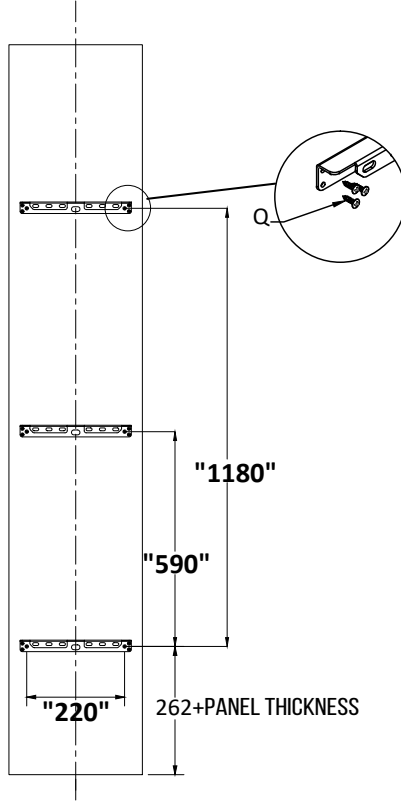
O M4*8  x1	M M6  x2	N 6*16  x2	T M6*35  x2			
---	---	---	--	---	---	---



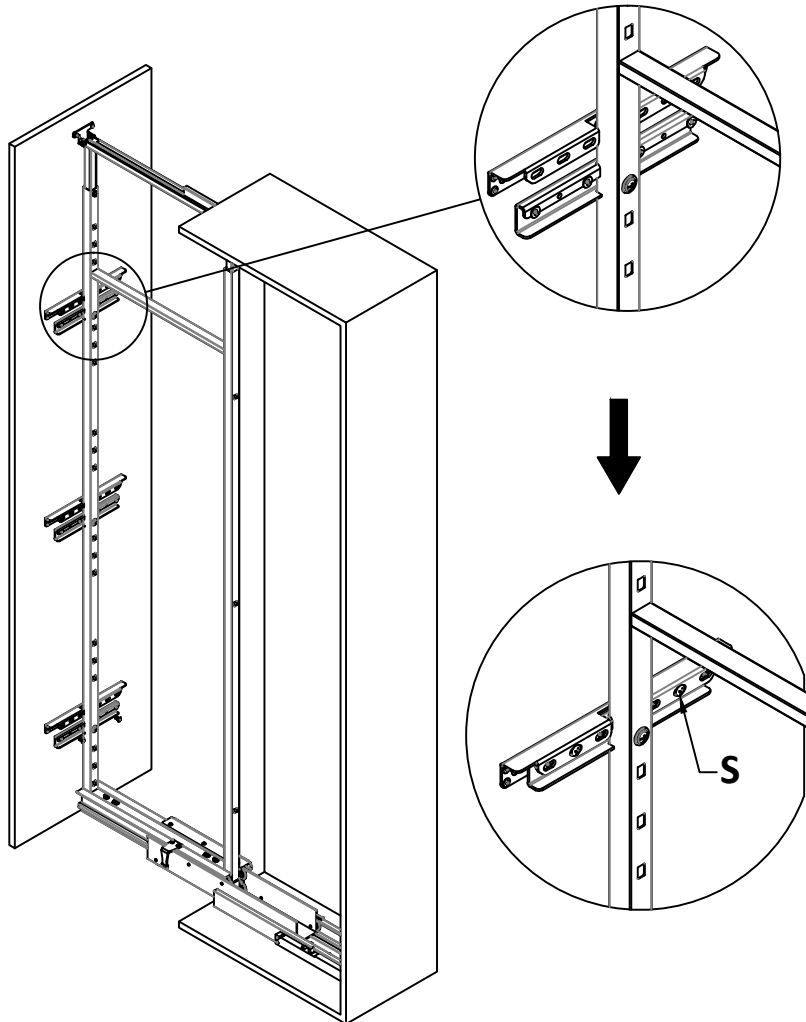
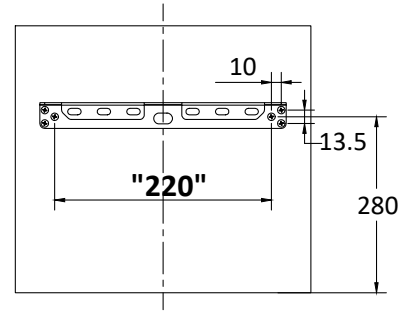
5

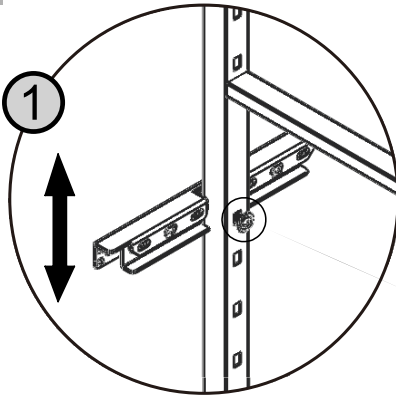


**1550 - 1870 mm**  
5 BASKETS

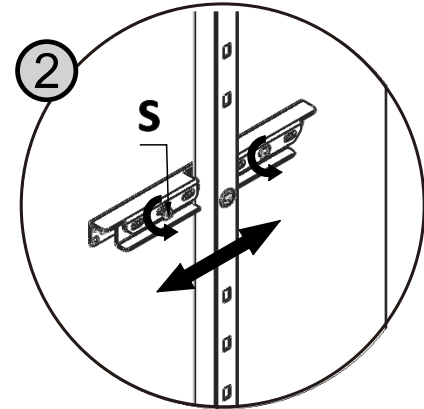
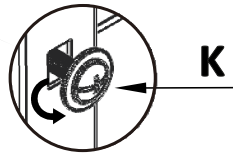


**1850 - 2170 mm**  
6 BASKETS

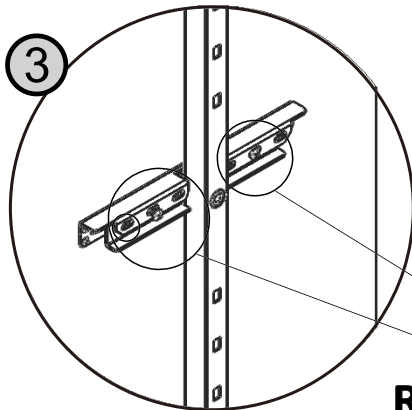




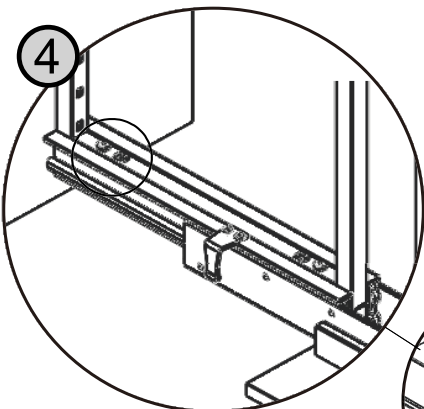
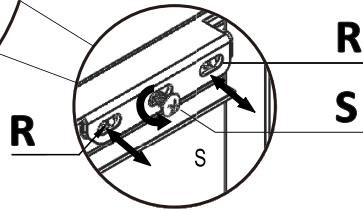
LOOSEN THE PART K,  
ADJUST THE VERTICAL ALIGNMENT  
OF THE DOOR PANEL.



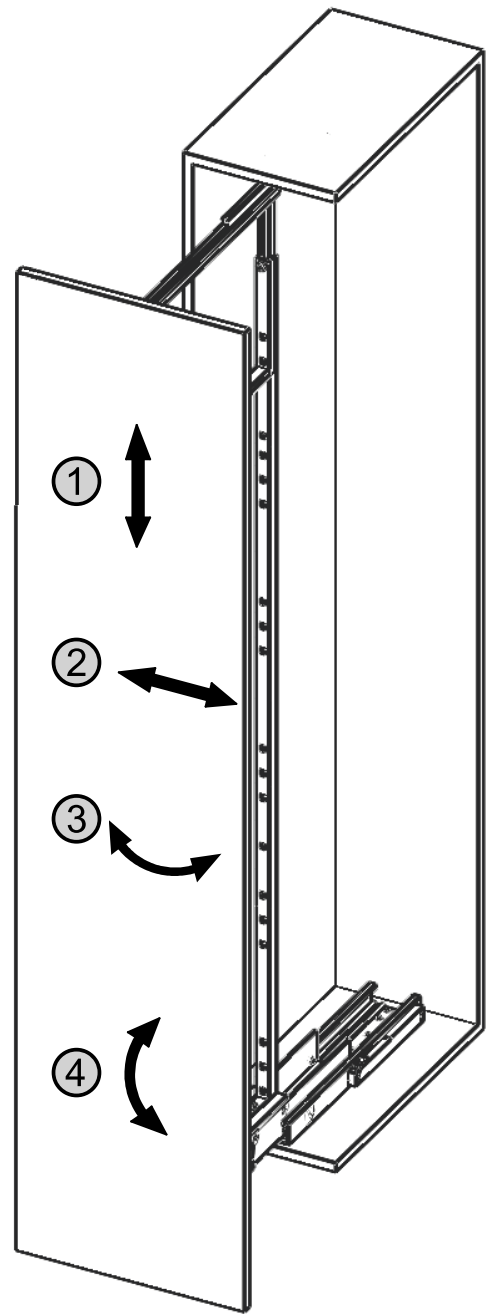
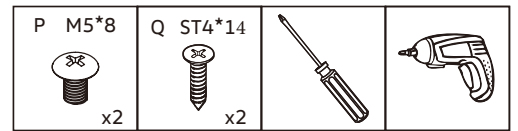
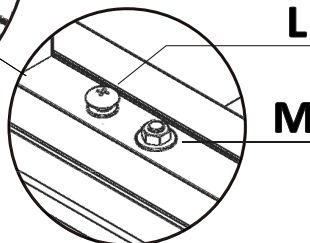
LOOSEN THE PART S AT THE SAME  
TIME.  
ADJUST THE LEFT AND RIGHT  
DIRECTION OF THE DOOR PLATE



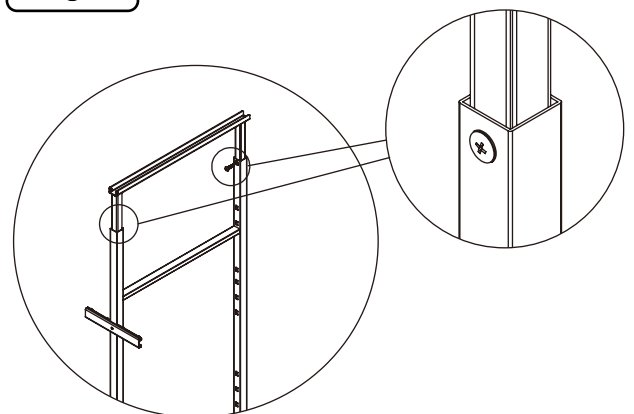
LOOSEN COMPONENT S, ADJUST THE  
TENSION OF COMPONENT R, AND  
CORRECT THE LEFT-RIGHT  
PERPENDICULARITY OF THE DOOR  
PANEL.



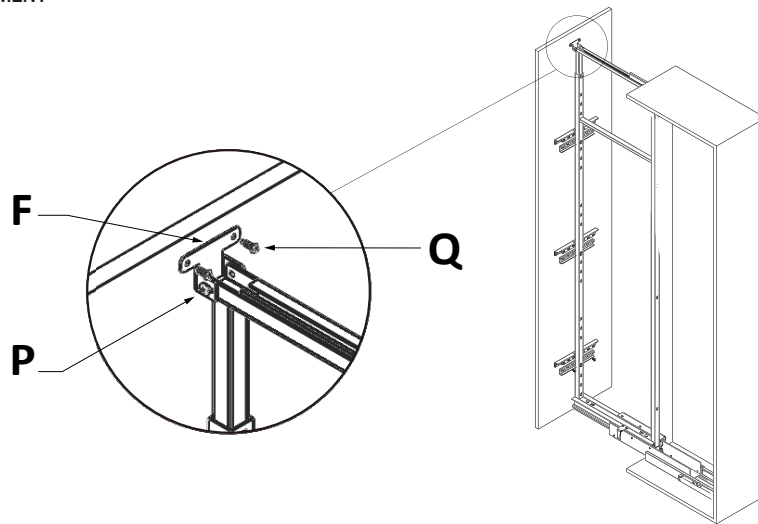
LOOSEN COMPONENT M,  
TIGHTEN COMPONENT L, AND  
ADJUST THE FRONT-TO-BACK  
PERPENDICULARITY OF THE  
DOOR PANEL.



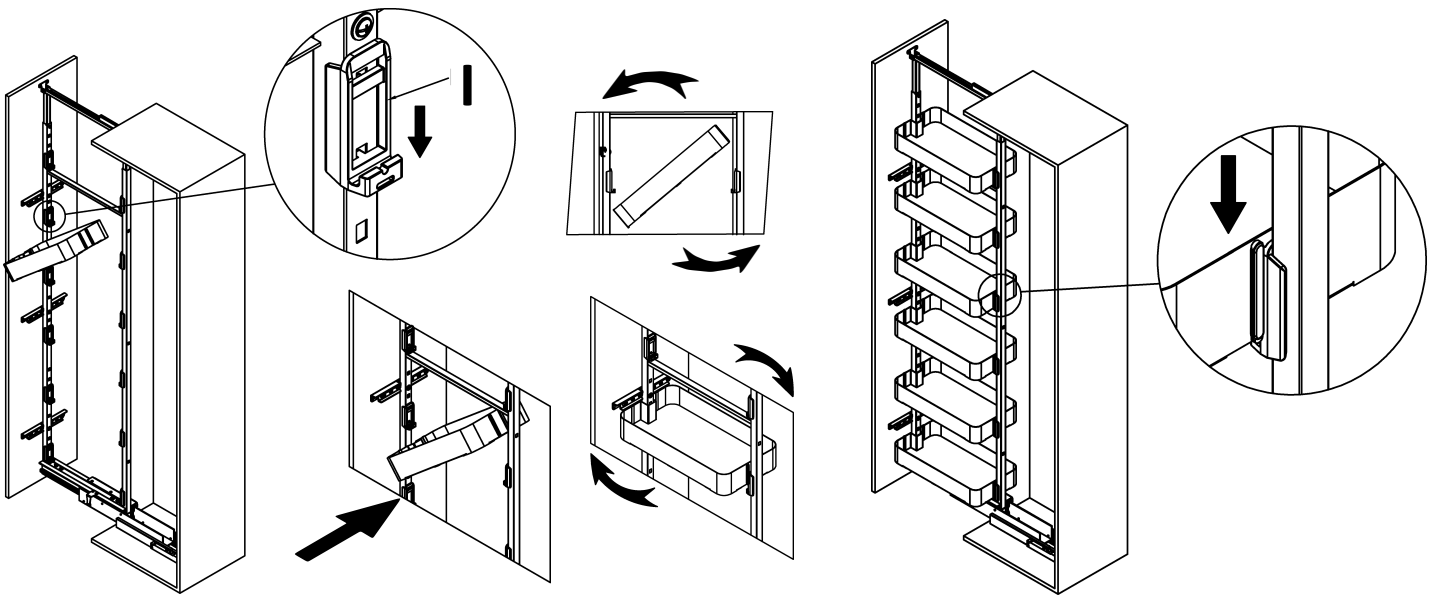
TO ADJUST THE POSITION OF THE LOWER GUIDE,  
FIRST LOOSEN THE UPPER FRAME.



7 LOCK PART F AFTER ADJUSTMENT



8 PART I, H FITTING:



9 COMPLETE INSTALLATION:

